

STROBE-BRIK™

14W Single-color and RGB LED Strobe

Architectural-use, DMX-controlled SB-021QD series

LED Strobe Power!

Use the LED Strobe-Brik system to add color sparkle to your iconic architecture. The LED Strobe-Brik system provides individual DMX control of hundreds of powerful LED strobes. The SB-021QD strobe uses high quality Luxeon Rebel LEDs, providing some of the highest efficacies available.

Applications

- Icon architecture
- Casinos
- Theme park attraction and effect lighting

Features

- Mount anywhere, integrated heat-sink design provides for powerfully bright strobe or continuous-duty effects.
- Strobes are individually DMX-addressed for complete control.
- Exterior-rated IP-65 housing.
- Threaded-base fixture for easy, no-tools installation.
- Integrated with any number of related effects.
- Many mounting options available.
- For use with 14W LED Brik-32 and Brik-16 controllers.
- Available frosted or clear lens.
- Two mounting orientations.



Available colors

- SB-021QD-RED, Red
- SB-021QD-GRN, Green
- SB-021QD-BLU, Royal Blue
- SB-021QD-CYA, Cyan
- SB-021QD-RED-AMB, Red-Orange
- SB-021QD-AMB, Amber
- SB-021QD-CWH, Cool White
- SB-021QD-NWH, Neutral White
- SB-021QD-WWH, Warm White
- SB-021QD-RGGB, Red/Green/Green/Blue
- SB-021QD-RGBA, Red/Green/Blue/Amber
- Custom color-mixed LED configurations available.

Specifications

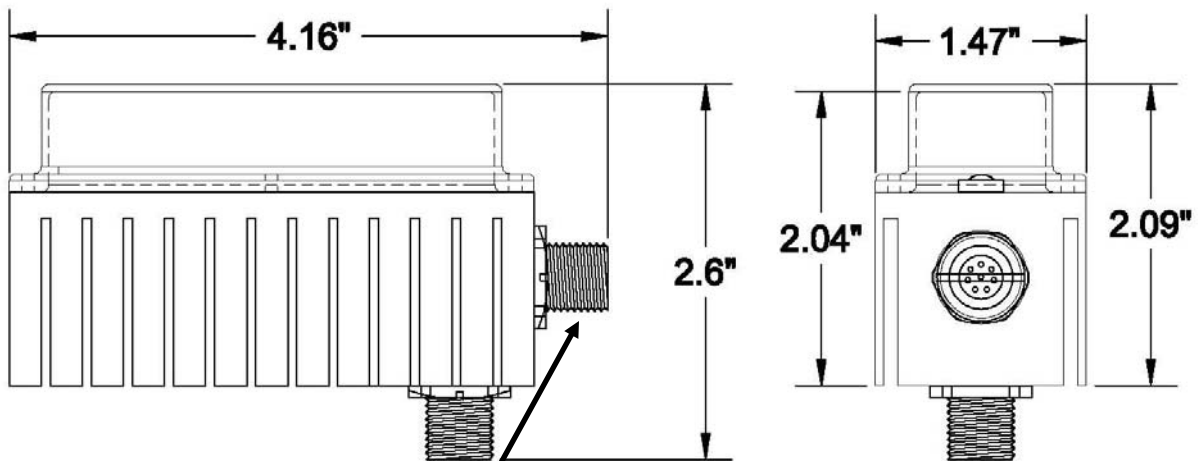
- 14W @1000mA
- 4.2" X 2.1" X 1.5"
- For use with 14W LED Strobe-Brik controllers
- One DMX address per single-color strobe, four addresses per RGB strobe.
- 50,000 hrs life at 700mA with 70% lumen maintenance.

STROBE-BRIK™

14W Single-color and RGB LED Strobe Architectural-use, DMX-controlled SB-020QD series

14W LED strobe data

Part Number	Type	Watts @1000mA	Luminous Flux [Lm] @ 700 mA	Dominant Wave-length [nm] @ 350 mA	Viewing Angle [Degrees]
SB-021QD-RED	RED	13.6	340	620-645	140
SB-021QD-GRN	GREEN	14.4	580	520-550	140
SB-021QD-BLU	ROYAL BLUE	14.4	2100mW	440-460	140
SB-021QD-CYA	CYAN	14.4	520	490-520	140
SB-021QD-RED-AMB	RED-ORANGE	13.6	400	613-620	140
SB-021QD-AMB	AMBER	13.6	260	584-597	140
SB-021QD-CWH	COOL WHITE	14.4	580	4500-10000 K	140
SB-021QD-NWH	NEUTRAL WHITE	14.4	580	3500-4500 K	140
SB-021QD-WWH	WARM WHITE	14.4	440	2670-3500 K	140
SB-021QD-RGGB	RGGB	14.2			140
SB-021QD-RGBA	RGBA	14.0			140



May be configured for one of two mounting orientations.